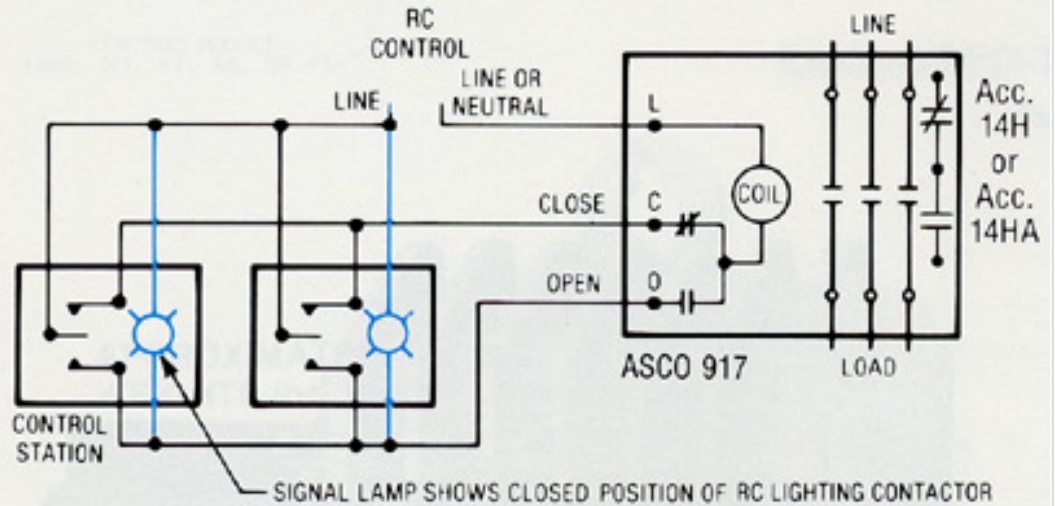
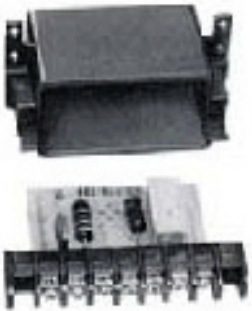


ASCO 917 LIGHTING CONTACTOR WIRING DIAGRAMS

Standard Wiring

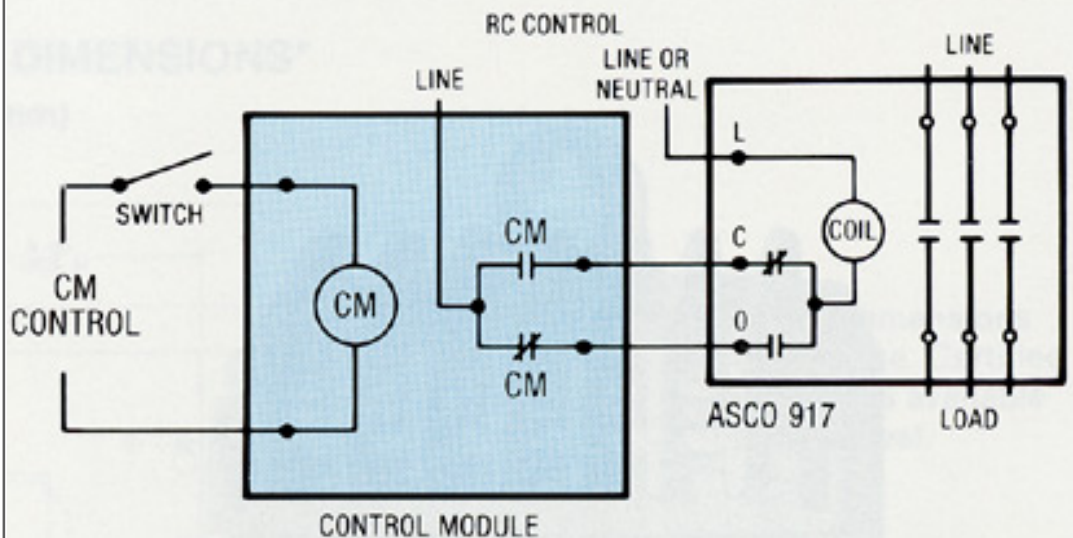


Accessory 47 Two Wire Control

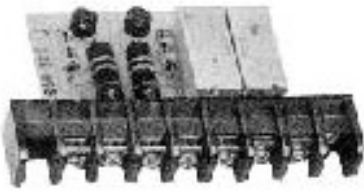


Accessory 47

Accessory 47 is an auxiliary module for 2-wire control of the ASCO 917. The module must be energized to close the ASCO 917 contacts, and de-energized to open the ASCO 917 contacts. Therefore, use a single-pole, maintained-type control station.

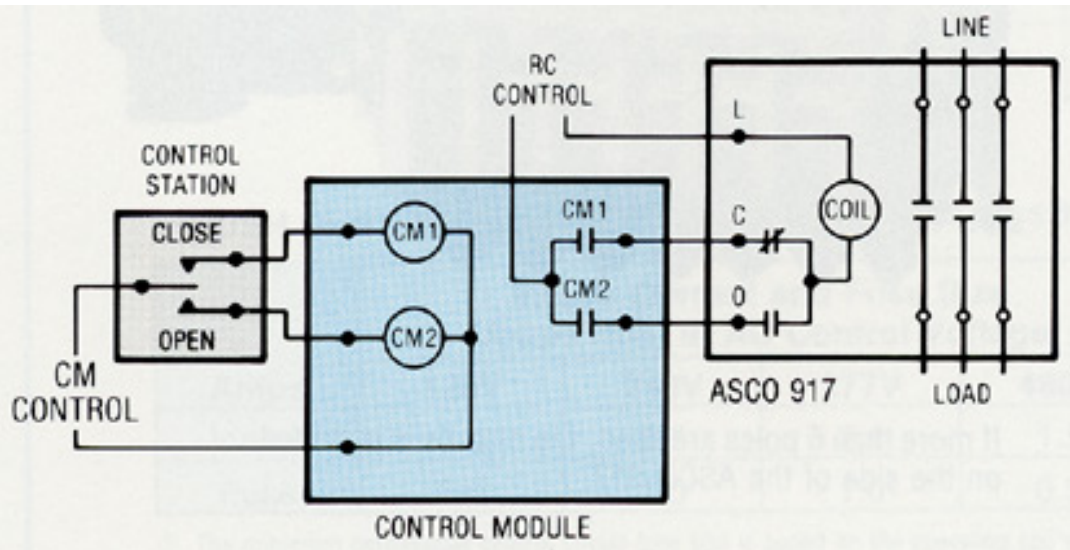


Accessory 48 Three Wire Control

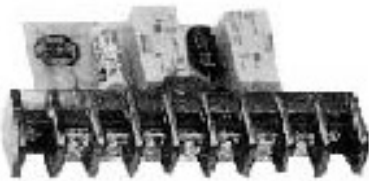


Accessory 48

Accessory 48 is an auxiliary module for 3-wire control of the ASCO 917. One terminal must be energized to open the ASCO 917 contacts; the other terminal must be energized to close the ASCO 917 contacts. If neither or both terminals are energized, no output will occur. Therefore, use a single-pole, double-throw, momentary-type control station to operate the module.



Accessory 49 Stop/Start Control



Accessory 49

Accessory 49 is an auxiliary control module for Form 3 (start-stop) control of the ASCO 917. This module must be energized to close the ASCO 917 contacts; the relay must be de-energized to open the ASCO 917 contacts. Therefore, use one normally open and one normally closed separate control stations.

